



## Protocol Converter Series

Model: HM-C800B

Product: 8E1 to 4Ethernet Converter

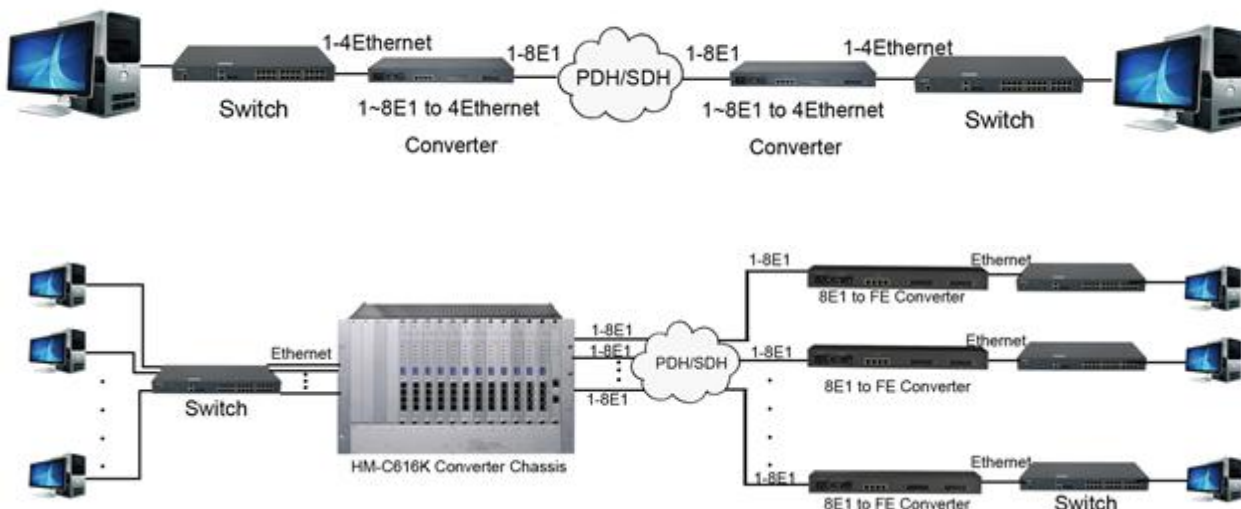
Humanity HM-C800B 8E1 to Ethernet converter realizes Ethernet transmission over 1~8E1. This model complies with GFP, VCAT, LCAS and able to work with third party device followed same protocol.

### Main Features


- Realizes Ethernet transmission over 1-8E1
- Comply with ITU-T G.7041, G.7042, G.7043, G.8040. It's able to work with third party device followed same standard ITU protocol.
- Support auto delete the fault E1 channels. Auto in use after E1 is normal.
- E1 can not connect according to serial number. In case one E1 failure, the other E1 can still work.
- For 8E1 channels, the maximum tolerable time delay difference between any two can be up to 220ms.
- Chassis type supported



### Application Diagram



## Specifications

<p><b>E1</b></p> <p>8xE1</p> <p>Connector: DB37</p> <p>Impedance: unbalanced 75Ω or balanced 120Ω</p> <p>Line code: HDB3</p> <p>Comply with ITU-T G.703 standard</p> <p>Jitter comply with ITU-T G.823 standard</p> <div style="display: flex; justify-content: space-around; align-items: center;">   </div> <p>DB37/8*BNC for 75 Ω    DB37/4*RJ45 for 120 Ω</p>	<p><b>Ethernet</b></p> <p>4xEthernet with VLAN</p> <p>Comply with IEEE802.3, IEEE802.1Q</p> <p>Connector: RJ45</p> <p>Auto adapt 10/100M, full/half duplex</p> <p>Support MDI/MDIX</p> <p>Support flow control</p> <p>MAC address table capability: 1024</p> <p>MAC address table aging time: 5 minutes</p> <p>Minimum frame length: 64bytes</p> <p>Maximum frame length: 1916bytes</p>
<p><b>LED indicators</b></p> <p>POWER</p> <p>Ethernet: LINK1-4, BT1-4</p> <p>E1: ALR, L01-L08, LOS,AIS,LOOP,LOF</p> <p>* ALR is general alarm</p> <p>* L01-L08 is for alarm E1 channel</p> <p>*LOS, AIS, LOOP,LOF alarm is controlled by DIP1-2, displayed by L01-L04.</p>	<p><b>DIP switch</b></p> <p>DIP1,2: set alarm contents for L01-L08</p> <p>DIP3: set E1 loop</p> <p>DIP4: set VLAN</p>
<p><b>Button</b></p> <p>Local/remote alarm choice</p> <p>Console/SNMP choice</p>	<p><b>Management</b></p> <p>Default with console management</p> <p>SNMP option, please state when in order</p>
<p><b>Power</b></p> <p>AC and DC power</p> <p>Less than 10W</p>	<p><b>Environment</b></p> <p>Working temperature: -5 ~ 50℃</p> <p>Relative humidity: ≤95%, non-condensing</p>

## Order Information

Model	Product Description
HM-C800B	8E1 to Ethernet converter, RS232 management
HM-C800BS	8E1 to Ethernet converter, RS232 and SNMP management
HM-C800BC	8E1 to Ethernet converter card, used in HM-C616K chassis
HM-C616K	6.5U 19inch, 16slots for service card and 1slot for management, SNMP option.